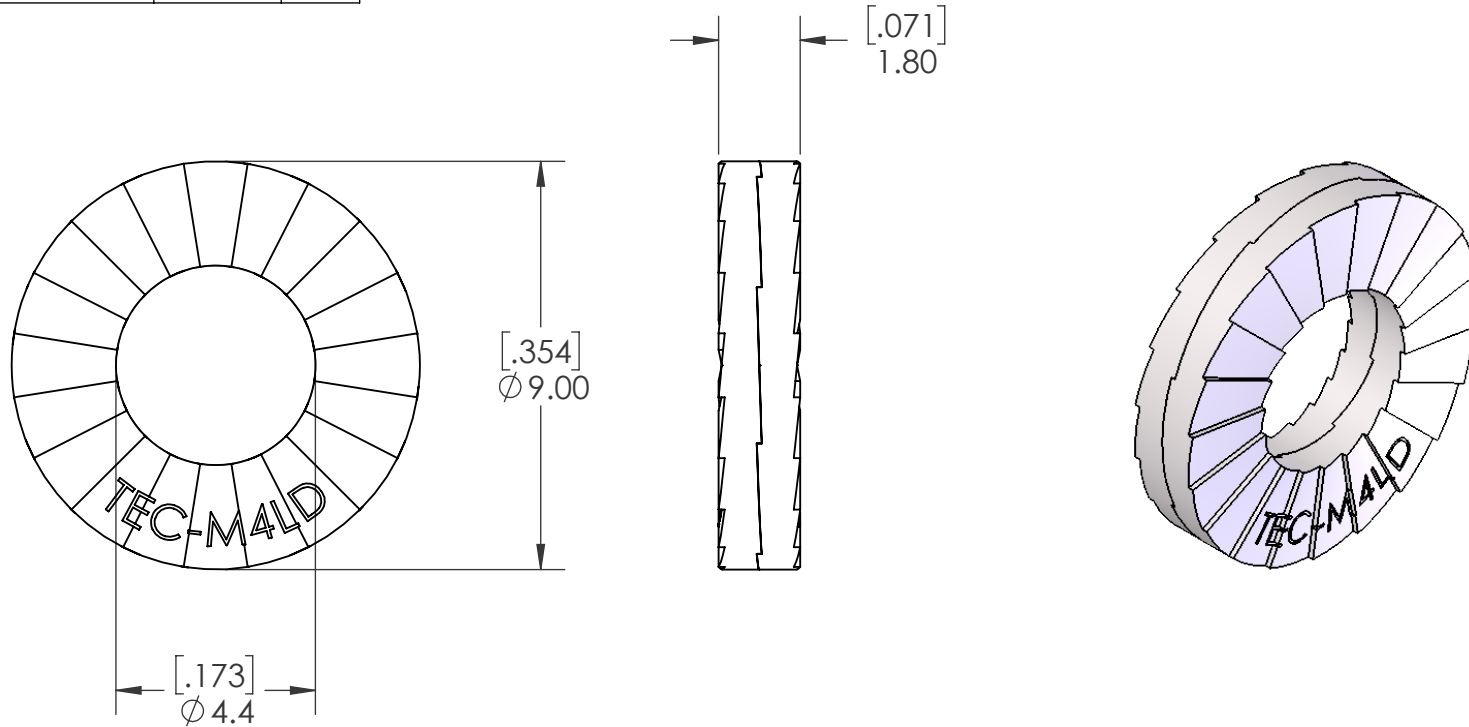
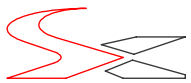



REVISIONS			
REV.	DESCRIPTION	DATE	ECN
A	INITIAL RELEASE	10/4/17	2813
B	MATERIAL UPDATE	7/12/2018	3056



PROPRIETARY AND CONFIDENTIAL
 THIS DRAWING, AND THE INFORMATION CONTAINED HEREIN, ARE THE PROPERTY OF SHEREX AND ARE NOT TO BE USED IN ANY MANNER DETRIMENT TO THE INTEREST OF THE COMPANY.
 SHEREX FASTENING SOLUTIONS RESERVES THE RIGHT TO REVISE PART/DRAWING WITHOUT NOTICE.

DRAWING NO.:
 TEC-M4LD

UNLESS OTHERWISE SPECIFIED:		NAME	DATE	 
DIMENSIONS ARE IN MM (INCHES) TOLERANCES: ANGULAR: MACH ± 1 BEND ± 1 I.D. TOLERANCE: ± 0.1 [± .004] O.D. TOLERANCE: ± 0.2 [± .008] THICKNESS TOLERANCE: ± 0.25 [± .01]	DRAWN	MTB	10/4/17	
INTERPRET GEOMETRIC TOLERANCING PER: ASME Y14.5M-1994	CHECKED			DESCRIPTION: LARGE DIAMETER TEC WASHER GLUED PAIR 4MM, #8
MATERIAL SCM435 OR 4130 STEEL, HT: THROUGH HARDEN 465 HV MIN	ENG APPR.	JVK	10/4/17	
FINISH DELTA PROTEKT BASE COAT (KL100) & TOP COAT (VH302GZ)	MFG APPR.			
DO NOT SCALE DRAWING	Q.A.			COMMENTS: E-mail: info@disc-lock.com www.disc-lock.com Phone: 866-474-3739 Fax: 716-875-0358
				SIZE PART NO.: A TEC-M4LD
				SCALE: 2:1 WEIGHT: SHEET 1 OF 1